

FDC-IPH4200

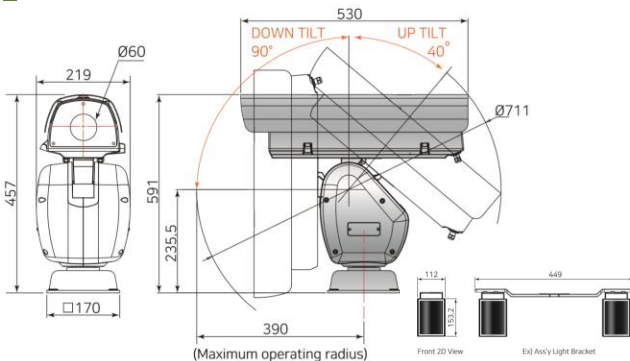
IP Network HD Positioning Camera



FEATURES

- 1/2.8" Progressive Scan CMOS
- 200만화소(2.13 메가픽셀), 1920x1080P 해상도 지원
- 광학 42배줌, 디지털 12배줌
- Triple Codec, Simultaneous Multistreaming
- 최대 3개의 독립적인 스트림 전송기능 H.264 / H.265
- Auto Temperature Control
- Fan / Heater / Defroster / Wiper
- Housing: Weather proof/Vandal Proof Structure/ IP66
- WDR광역역광보정 / 디지털노이즈 감소 지원 (2D/3D-NR)
- Pan/Tilt 0°~360°(Endless)/ -90°~40°

DIMENSION



Pan/Tilt

Pan/Tilt 범위 및 속도	Pan: 0° ~ 360°(Endless), 0.025°/sec ~ 120°/sec Tilt: -90° ~ 40°, 0.025°/sec ~ 40°/sec
Preset 정밀도	Max. ±0.1° / Max. ±0.05° (Repeat)
Preset 속도	Max. 319 point / Max. 120°/sec (pan)
스캔, 그룹, 패턴	Support 8 / 6 / 4
Built-in features	Fan / Heater / Defroster / Wiper

SPECIFICATION

Camera

이미지 센서	1/2.8" Progressive Scan CMOS
유효 화소수	Approx. 2.13 Mega pixels
화면 비율	HD: 16:9 SD: 4:3
줌	Optical x42, Digital x12
초점거리, 최대 조리개값	f = 7.1 ~ 300mm, F1.8 ~ F6.5
화각	41.54°(W) ~ 1.07°(T)
최저조도	COLOR : 0.05 Lux@F1.8 B/W : 0.01 Lux@F1.8
주/야간	Auto(CDS/CAM) / Day / Night(ICR)
포커스	Auto/Semi Auto/Manual
DNR(2D/3D)	OFF/Level Adjustment(1~5)
셔터 스피드	1 sec ~ 1/10,000sec(60/30 mode) 1 sec ~ 1/10,000sec(50/25 mode)
사생활보호기능	Max. 8 Zone
White Balance	Auto/Indoor/Outdoor/Manual
기타	Defog(Built in H/W Filter), HLC

Network

접속	10Base-T/100Base-Tx	
비디오 압축코덱	H.265/H.264/MJPEG	
비디오 스트림	Main	1080p/720p
	Second	720P/D1
	Third	1080p/720p
	Fourth	CIF
스트림 타입	Video/Complex(Video/Audio) Stream	
프레임 비율	Max. 60 /30 fps for 1080P/720P/D1/CIF/QCIF	
대역폭	30Kbps ~ 16Mbps. Supports CBR/VBR/FIX QP	
오디오 압축	Two way, G.711 A-law, G.711 μ-law, 128kbps, sampling rate 8kHz	
Local Storage	Micro SD/SDHC/SDXC card. Support up to 128GB	
IVA	Motion Detection, Occlusion Detection, Line Crossing, Region entrance/exiting, Intrusion, Tampering, etc	
알람 동작	Email, Micro SD/SDCH/SDXC Record, Relay Output, Snapshot, Notification of Client	
알람	Pre-Post Alarm	
최대 접속자수	10 users(Depending on user bandwidth)	
Web Browser	IE 6.0 above	
프로토콜	IPv4	IPv4/IPv6, TCP/IP, UDP, RTP, RTSP, RTMP, NTP, HTTP, HTTPS, SSL, DNS, DDNS, DHCP, FTP, SMTP, ICMP, SNMP
	DDNS	Public DDNS services Support: www.dyndns.com
	ONVIF	PROFILE S
	Security	User Authentication(ID/PW), IP Address/Mac Address filtering

General

센서 In/Out	Built-in 1 Input / 1 Output(Relay)
오디오 In / Out	1 Audio In / 1 Audio Out
비디오 Out	BNC: VBS 1.0Vp-p
IR 거리	IR distance: 200M (9 IR LEDs)
파워	AC24V 6A(Max) 100W (Heater ON), 38W (Heater OFF)
인증	KC, IP66
하우징	Weather proof / Vandal Proof Structure
재질	Body : Aluminum Die-casting
사이즈	(W)219 x (H)591 x (D)530 mm
무게	Unit : 11Kg Load Weight : 7kg
운영온도	-40°C ~ 55°C / Up to 90%RH